

Solid Cleaner

Portable Disinfectant Cleaner

USER MANUAL

MODEL – CC01/CC01A

V.19.08.30

Thank you for your purchase of the Solid Cleaner CPAP disinfecting machine. We are committed to providing innovative and safe methods that can improve the health and well-being of our customers. This disinfecting machine is proven activated oxygen (ozone) kills 99.99% of germs, bacteria and other pathogens. You can sanitize your CPAP machine, mask and tubing completely through a stream of controlled activated oxygen for approximately 20 to 30 minutes. The entire care free and dry sanitization process requires no water soap or liquid cleaning. Please feel free to contact us with any questions or concerns you might have.

IMPORTANT SAFETY INSTRUCTIONS

DANGER

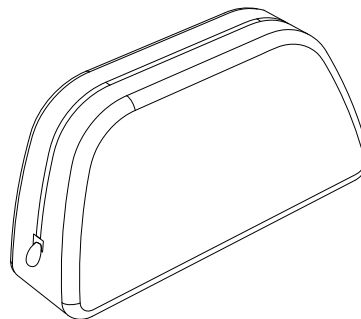
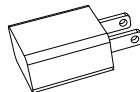
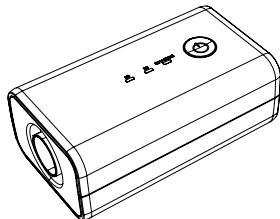
- To avoid electrocution, do not operate this device near water.
- Do not operate this device near fire.
- Keep away from children. It is not a toy!
- Do not use in explosive air environments, near gas vapors, or other flammables, etc.
- Do not place any items on top of Solid Cleaner unit, particularly flammables or ignitable items.

WARNING

- Before use, ensure that all packaging materials are removed and that there is no visible damage to the unit or accessories. When in doubt, do not use the unit and contact customer service : support@solidcleaner.com
- Do not dismantle the Solid Cleaner unit.
- Please be aware that there are sensitive electronics inside the unit. If you need to clean your Solid Cleaner, wipe with a damp cloth.
- This device design is based on the best sanitization performance. User is not recommended to change any settings.
- Read this user manual carefully before use the device and save this manual for future reference.

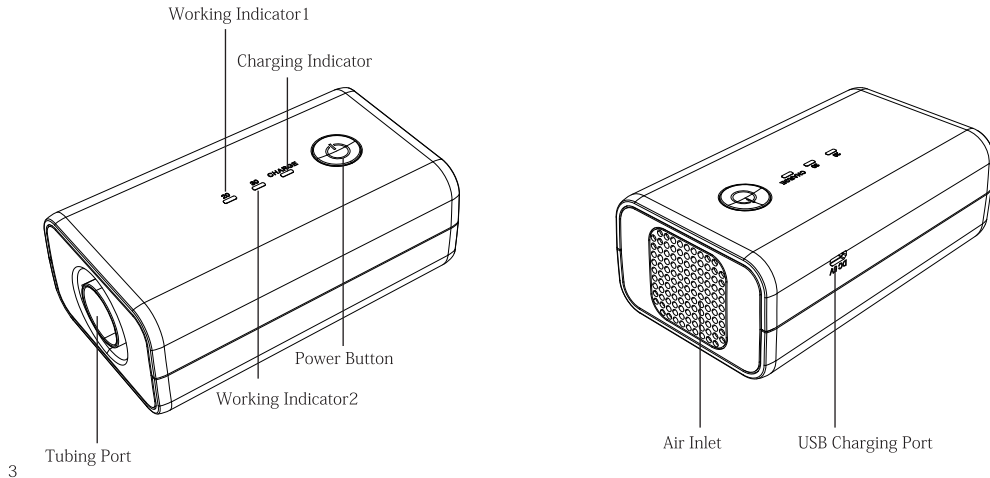
PACKAGE CONTENTS

- 1 x Cleaner Machine
- 1 x Travel Bag
- 1 x Power Cable
- 1 x AC Charger
- 1 x Heated Hose Adapter
- 1 x AirMini Hose Adapter
- 1 x T Shaped Adapter (Optional)



INTRODUCTION

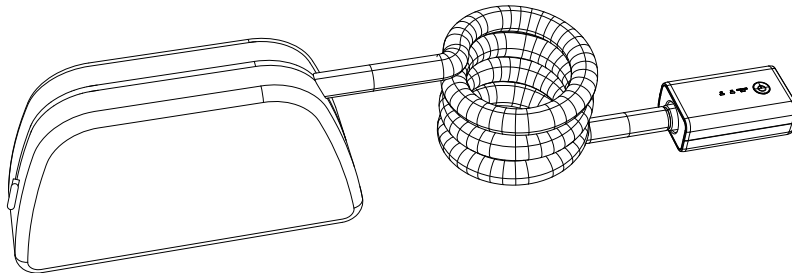
The Solid Cleaner is a general, Positive Airway Pressure (PAP) disinfecting unit and is intended to be used in the home and in the travel. A user who uses Continuous Positive Airway Pressure (CPAP) or Obstructive Sleep Apnea (OSA) treatment can use the Solid Cleaner to have a daily disinfectant when one fails to follow daily cleaning procedures or wants the added benefit of a thorough disinfecting in addition to daily cleaning. The Solid Cleaner has optimized its sanitization cycle to 20 minutes including 15 minutes with activated oxygen and 5 minutes with fresh air blowing for CPAP mask; and sanitization cycle to 30 minutes including 20 minutes with activated oxygen and 10 minutes with fresh air blowing for CPAP machine.



OPERATION INSTRUCTION

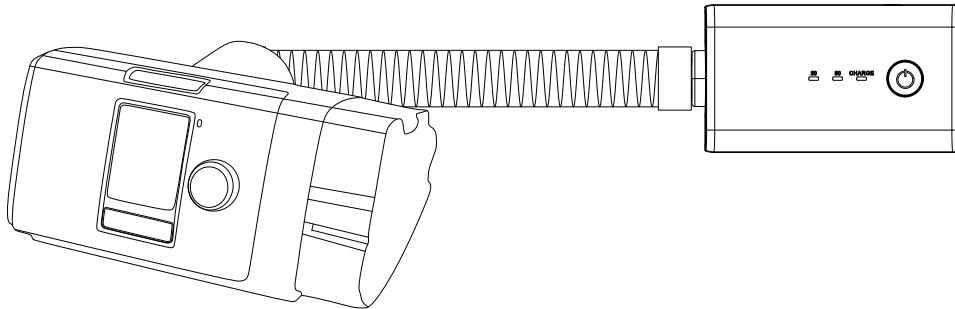
Clean Mask and Tubing(Recommend 20 min.)

- Disconnect the CPAP end of the tubing from your CPAP machine and connect the CPAP end of the tubing with Solid Cleaner.
- Use the travel bag to enclose your full face or nasal mask.
- Press and hold the power button for 2 seconds till the buzzer beeps and the operation indicator of 30 minutes turns light. Press the power button once to switch to 20 minutes cycle and the indicator of 20 minutes turns light.
- Activated oxygen will stream for 15 minutes then the device will circulate fresh air for 5 minutes. The last 5 minutes of fresh air will remove most of the residual ozone which may be unpleasant to some users.
- After the programmed sanitization cycle for 20 minutes, the device will automatically power off and sound off with five beeps. The operation indicator will be turned off.
- If for any reasons the user wants to manually turn off the power during the sanitization process, press and hold the power button for 2 seconds. The machine will sound off with long beep and indicator light will be off.
- After sanitization process, wait for 30 to 60 minutes before using the CPAP mask to insure the odor has dissipated.



Clean CPAP Machine and Humidifier (Recommend 30 min.)

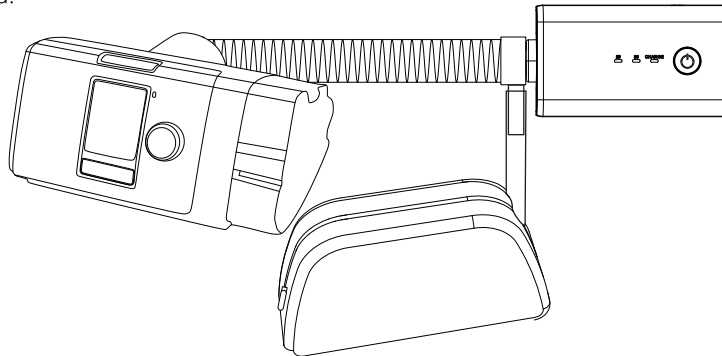
- Please power off the CPAP machine before sanitization. For the CPAP machine configured with humidifier, drain water in reservoir before starting the sanitization process.
- Disconnect the mask end of the tubing from your CPAP mask and connect the mask end of the tubing with Solid Cleaner.
- Press and hold the power button for 2 seconds till the buzzer beeps and the operation indicator of 30 minutes turns light.
- Activated oxygen will stream for 20 minutes then the device will circulate fresh air for 10 minutes. The last 10 minutes of fresh air will remove most of the residual ozone which may be unpleasant to some users.
- After the programmed sanitization cycle for 30 minutes, the device will automatically power off and sound off with five beeps. The operation indicator will be turned off.
- The sanitization process can disinfect both CPAP machine and humidifier in one sanitization cycle.
- If for any reasons the user wants to manually turn off the power during the sanitization process, press and hold the power button for 2 seconds. The machine will sound off with long beep and indicator light will be off.
- After sanitization process, wait for 30 to 60 minutes before using the CPAP machine to insure the odor has dissipated.



OPERATION INSTRUCTION

Clean Mask and Machine (Using T Shaped Adapter, Optional)

- Disconnect the mask end of the tubing and connect the mask end with SolidCleaner through the T shaped adapter. (Ensure the CPAP end of the tubing is still connecting with your CPAP machine.)
- Connect the 10mm clear hose with small output on T shaped adapter.
- Use the travel bag to enclose your full face or nasal mask and insert the 10mm clear hose in, then get the bag zipped.
- Press and hold the power button for 2 seconds till the buzzer beeps and the operation indicator of 30 minutes turns light.
- Activated oxygen will stream for 20 minutes then the device will circulate fresh air for 10 minutes. The last 10 minutes of fresh air will remove most of the residual ozone which may be unpleasant to some users.
- After the programmed sanitization cycle for 30 minutes, the device will automatically power off and sound off with five beeps. The operation indicator will be turned off.
- If for any reasons the user wants to manually turn off the power during the sanitization process, press and hold the power button for 2 seconds. The machine will sound off with long beep and indicator light will be off.
- After sanitization process, wait for 30 to 60 minutes before using the CPAP mask and machine to insure the odor has dissipated.



Heated Hose/Tubing Adapter

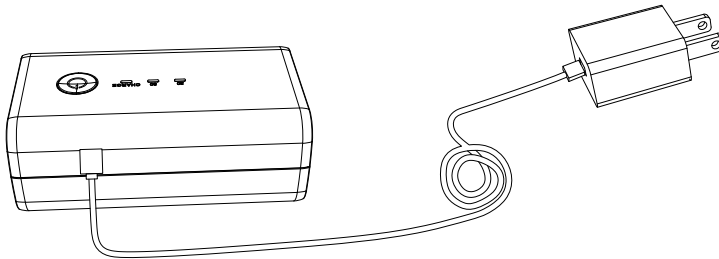
- When you have RESMED or RESPIRONICS heated tubing, use the heated tubing adaptor included to easily connect to the both ends of the heated tubing with Solid Cleaner. TIPS: Please reverse your heated hose when clean your CPAP mask, connect the mask end of hose to Solid Cleaner and connect the machine end of hose to your mask with heated hose adapter.

RESMED Air mini Adapter

- When you have RESMED AIRMINI CPAP machine, use the Air mini adaptor included to easily connect to the both ends of the RESMED Air mini micro tubing with Solid Cleaner.

Charging the battery

- The Solid Cleaner device includes a built in rechargeable battery. To charge the battery, connect the USB cable to the charging port and the A/C adapter. Plug the A/C adapter into a power outlet.
- For the best battery performance and battery life, please power off the device while charging.
- The time required to recharge the battery will vary depending on the ambient temperature and battery's remaining capacity. Normally the charging time is 3 hours.
- When the battery is running low, the power indicator blinks along with buzzer sound. The device will continue to operate till the battery is completely drained. However, it may not complete a sanitization cycle. We recommend the user charges the device as soon as the low power indicator flashes.



FAQ

1. Will my CPAP equipment will be wet from the Solid Cleaner?
No. The Solid Cleaner disinfects with activated oxygen. No fluids or water are used in the process.
2. Does it clean the entire CPAP machine?
Yes. The Solid Cleaner is designed to clean the CPAP machine and mask & tubing.
3. Does the Solid Cleaner need filter?
No. it requires no maintenance or filter replacement.
4. Is the Solid Cleaner harmful to me or the environment?
No. The activated oxygen generator is always kept as a safe level and never reaches the outside environment.
5. Does the Solid Cleaner work with a heated hose?
Yes. The heated hose adapter is included.
6. How often should you use this device?
Once or twice a week is recommended.
7. Does the Solid Cleaner include the bag?
Yes. The zipper travel bag is included and it's for mask sanitization or to carry the device and accessories.
8. My CPAP mask feels oily, what should I do?
Some individuals with an oily skin type may need to hand-wash the mask occasionally before sanitization.
9. How many working times with a full charging?
This unit provides 10 times working with a full charging.

TROUBLES SHOOTING

Problem	Solutions (Check)
The device does not work after turning on	Connect the device to charger, plug the charger to power outlet. Turn on the device.
Charging indicator will not light up	Check the charger and USB cable connection
Device stops suddenly	Battery is used up. Get the device to be charged.
Device is not working with fully charged	If the USB cable is broken or if the A/C adapter is faulty, does not solve the problem, please contact with the manufacturer for repair/ replacement.
The device does not stop automatically	Turn off , then power on the device again. If does not solve the problem, please contact with the manufacturer for repair/ replacement.

CARE AND CLEANING

- Before cleaning the device, always switch it off, unplug it.
- Do not immerse device in water or other liquids. Use a slightly damp cloth to clean the device. Do not use abrasive detergents.
- Do not touch the unit with wet hands while it is plugged in, do not allow any water to be sprayed onto the unit. The device must be operated only when it is completely dry.
- If you are not going to use the device for an extended period of time, disconnect it and store it in a dry and safe place.

SPECIFICATIONS

Model: CC01 CPAP Disinfector

Dimensions: 120 x 68 x 48mm

Weight: 200g

Rechargeable Battery: 2600mAh

Power: 4W

Power: AC 100-240V, 50/60Hz

Operation Conditions: 50°F to 95°F, 10-95% Relative humidity

Storage Conditions: -4°F to 122°F, 10-95% Relative humidity

Certification: FCC, FDA listed

WARRANTY AND SERVICE

Thank you for choosing Solid Cleaner. We guarantee your investment in our product is a solid one. Extensive thought, research, planning and design goes into every product we make. High quality components combined with precision manufacturing allows us to maintain the highest possible production standards. All items are guaranteed against defects in materials and craftsmanship.

Solid Cleaner products come with a complete one-year parts and labor warranty. This warranty is non-transferable and proof of purchase required when seeking warranty assistance. Solid Cleaner has outstanding quality control. If something should go wrong with any of our products, we will repair it free of charge. If the product cannot be repaired, we will replace the product. If the product has been discontinued, we will replace the product with either the newest version of said product or current equivalent.

This warranty shall not apply to:

1. Any defects caused or repairs required as a result of abusive operation, negligence, accident, improper installation or inappropriate as outlined in the owner's manual.

2. Any Solid Cleaner product tampered with, modified, adjusted or repaired by any party other than Solid Cleaner.
3. Any cosmetic damage to the surface or exterior that has been defaced or caused by normal wear and tear.
4. Any damage caused by external or environmental conditions, including but not limited to transmission line/power line voltage or liquid spillage.
5. Any products used for rental or commercial purposes.
6. Any installation, setup and /or programming charges.

If any situation your purchase displays a manufacturer's defect during the warranty period and does not function correctly, please contact our service team via: support@solidcleaner.com

www.solidcleaner.com